

4

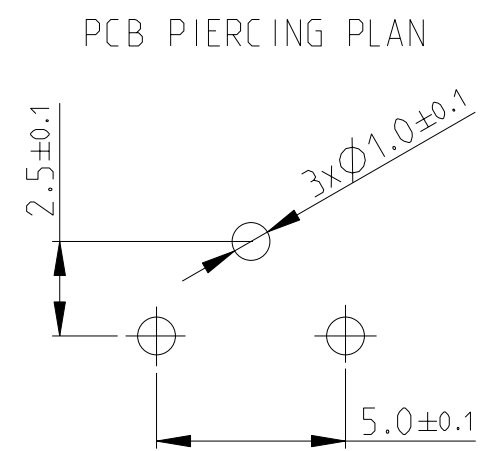
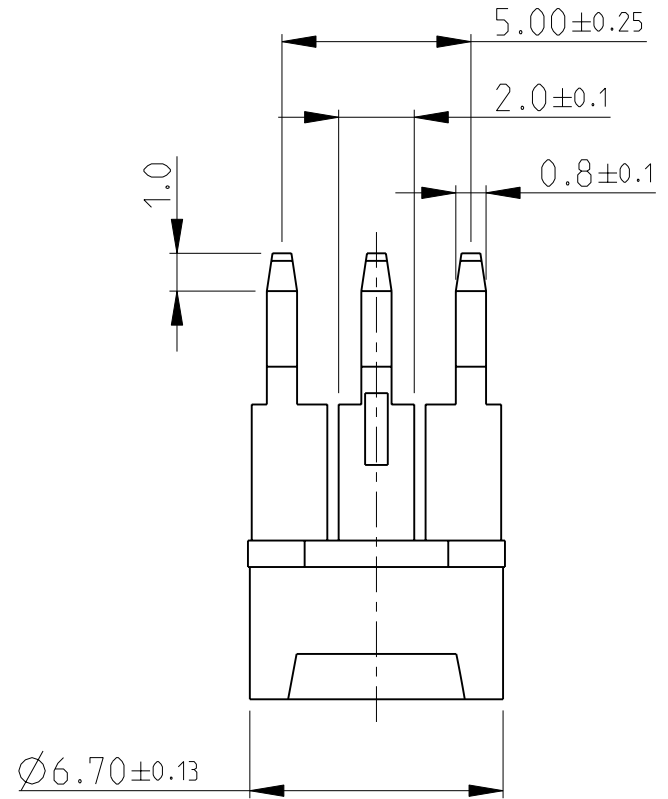
3

2

1

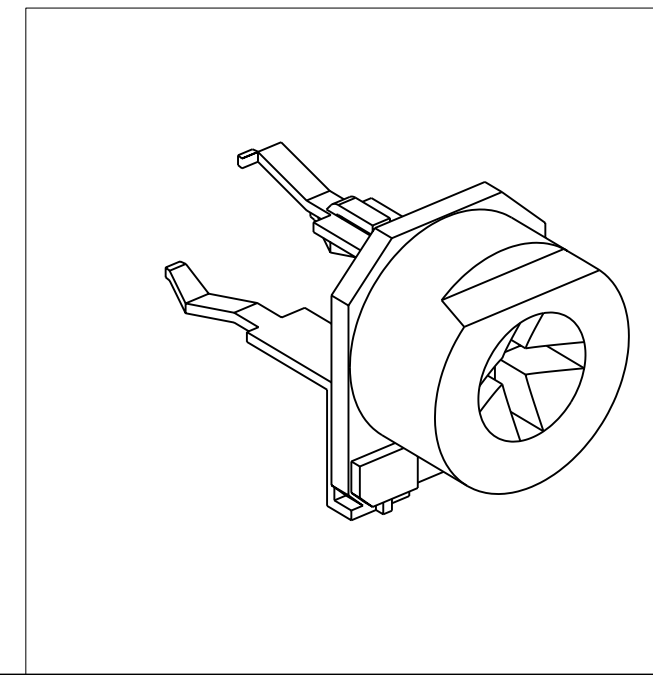
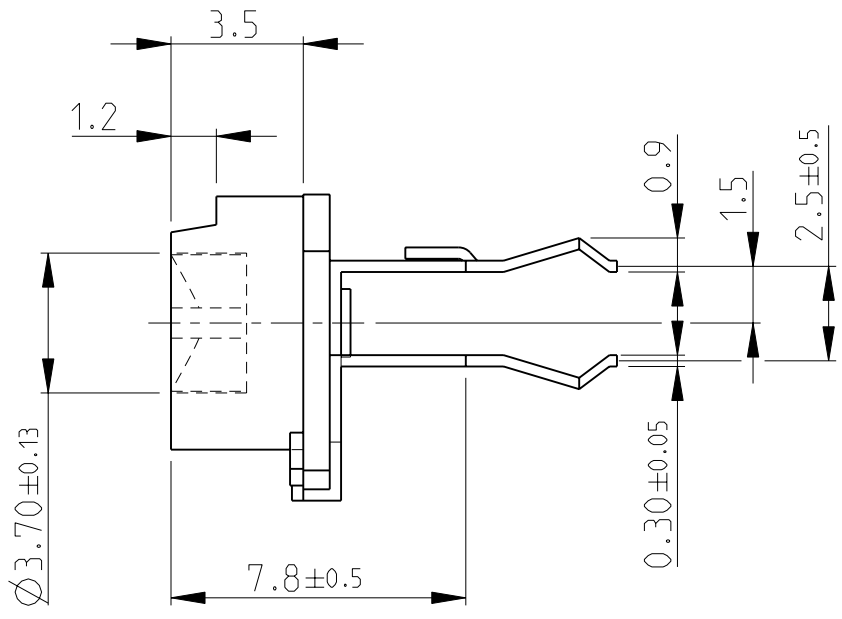
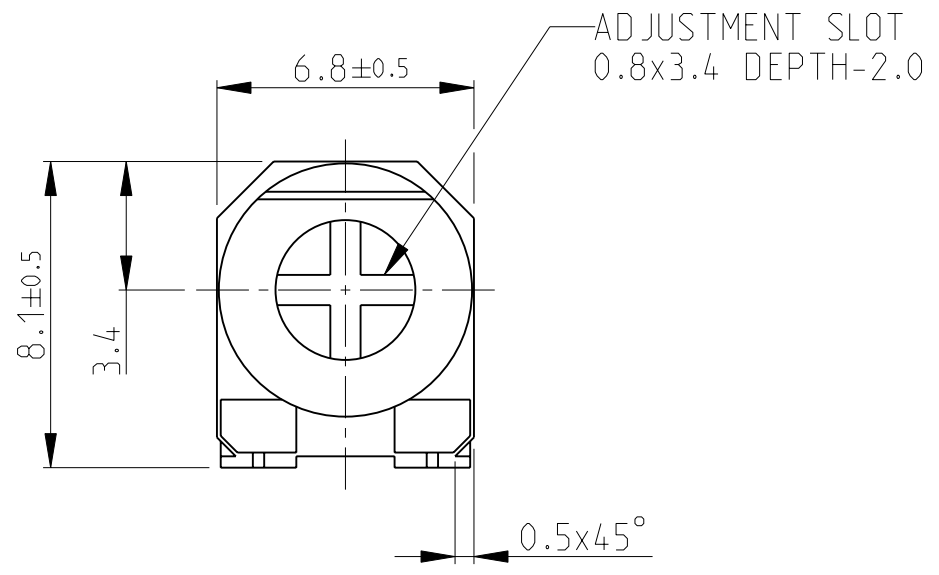
THIS DRAWING IS UNPUBLISHED. RELEASED FOR PUBLICATION 2008
 © COPYRIGHT 2008 BY TYCO ELECTRONICS CORPORATION. ALL RIGHTS RESERVED.

| LOC | | DIST | | REVISIONS | | | |
|-----|-----|-------------|-------------|-----------|-----|------|--|
| P | LTR | DESCRIPTION | | DATE | DWN | APVD | |
| E | B | BA | NEW RELEASE | 29-JUL-08 | SM | St.P | |



FOR FURTHER INFORMATION SEE DATA SHEET FOR 416 SERIES-ECONOMY TRIMMERS

RoHS Compliant



| | | | | | | | | | | | | | | |
|---|--|------------------|-----------|-----------|--|------------------|----|-----------|---------------------------------|------------|---------|---------------|-----|----|
| <small>THIS DRAWING IS A CONTROLLED DOCUMENT FOR TYCO ELECTRONICS CORPORATION IT IS SUBJECT TO CHANGE AND THE CONTROLLING ENGINEERING ORGANIZATION SHOULD BE CONTACTED FOR THE LATEST REVISION.</small> | | DWN | SUBHASH | 29-JUL-08 | Tyco Electronics Corporation Dorcan, Swindon, SN3 5HH | | | | | | | | | |
| DIMENSIONS: mm | | CHK | PRAKASH | 29-JUL-08 | | | | | | | | | | |
| | | APVD | STEPHEN.P | 29-JUL-08 | | | | | | | | | | |
| TOLERANCES UNLESS OTHERWISE SPECIFIED: 0 PLC ±0.5 1 PLC ±0.2 2 PLC ±0.1 3 PLC ± 4 PLC ± ANGLES ±5° | | PRODUCT SPEC | - | | | | | NAME | ECONOMY TRIMMERS SERIES 416P | | | | | |
| MATERIAL - | | APPLICATION SPEC | | - | | SIZE | A3 | CAGE CODE | 00779 | DRAWING NO | 1623894 | RESTRICTED TO | - | |
| FINISH - | | WEIGHT | | - | | CUSTOMER DRAWING | | | SCALE | 5:1 | SHEET | 1 OF 1 | REV | BA |